



www.flyadi.com

A vibrant tropical beach scene. The sky is a deep blue, filled with large, fluffy white clouds. The ocean is a brilliant turquoise color, with white foam from waves breaking in the distance. In the foreground, the water is shallow and clear, showing the sandy bottom. The waves are gentle and rhythmic, washing onto a light-colored sandy beach.

Let us take you there...

AERODYNAMICS

Aerodynamics, Inc. (ADI) offers 50 passenger solutions for the group travel market. Our flawless safety record and FAA Part 121 certified operation creates the foundation for success. All crews and flight attendants are trained and qualified in accordance with Part 121 specifications.



Reliability & Safety

The aircraft of choice is the Embraer ERJ 145, capable of accommodating up to 50 passengers. It was specifically designed to fly medium sized groups shorter distances at greater speeds. The ERJ 145 has an impressive mission completion rate of 99.7%. Since its first flight in 1995, the ERJ worldwide fleet has flown over fifteen million miles with zero fatalities. Sit back, relax, and enjoy the safety of the Embraer ERJ 145.



Efficiency and comfort

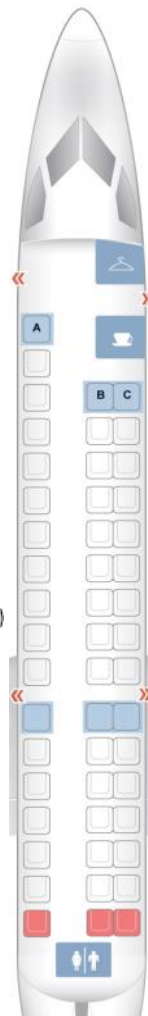
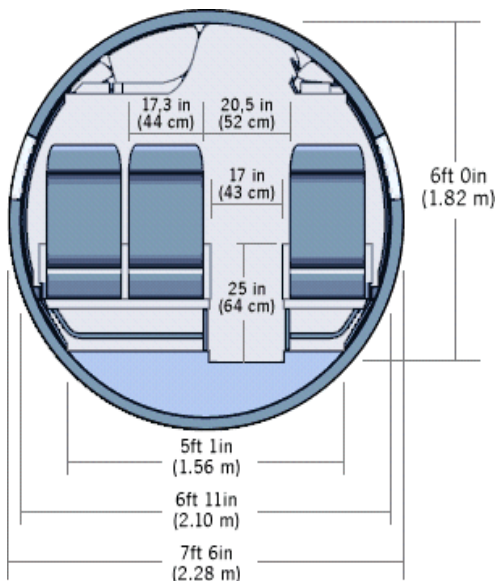
PERFORMANCE

| | |
|----------------------|------------|
| Maximum Range: | 1,017 nm |
| Normal Cruise Speed: | mach 0.78 |
| Cabin Height: | 6 ft |
| Cabin Width: | 6 ft 11 in |
| Usable Baggage: | 2646 lbs. |

ERJ145

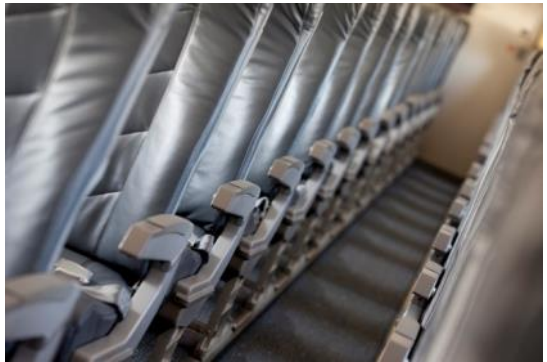
COMFORT

- 50 Seats
- 34 Large windows
- 31" Seat pitch
- 17" Seat width
- Overhead storage bins
- Forward cabin galley
- Rear cabin lavatory





Spacious cabin

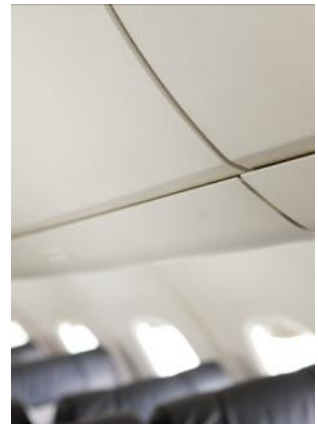
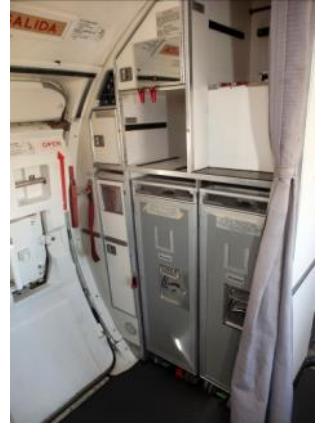


Five ★★★★★ offerings



CABIN FEATURES

- Flight Attendant
- Aft Lavatory
- Catering Available
- Forward Galley
- Large Windows
- Overhead Storage



BAGGAGE LIMITATIONS

Each passenger is allowed to check in one 50 lb. bag and carry on one personal item such as a briefcase, garment bag, laptop computer, purse or small backpack. All carry on luggage must fit in the overhead bin or under the seat in front of you or will be subject to storage in AFT cargo area. The aircraft has proven to be a workhorse for collegiate sports teams, golf outings, musical acts who travel with equipment and gear wherever they go.



BAGGAGE CAPACITY

Overhead Bins

11 Bins total 45" x 15" x 9"
Individual bin max 60 lbs.



Rear (Aft) Cargo Area

Maximum weight 2,646 lbs.
Total cubic feet 325 ft³
Cargo door size 38" x 43"
Cargo dimensions 10'8" x 5'5" x 6'




Under Seat Storage

17 Single Seats 16" x 12" x 9"
16 Double Seats 17" x 12" x 9"



(All dimensions are width x height x depth)



Fly on your terms

ABOUT ADI

Aerodynamics, Inc. based in Kennesaw, GA., is a certified FAA 121 Air Carrier (Cert# BUEA634C) offering large aircraft flight operations. Long recognized for its core value of operational excellence, ADI has served the industry for 55 years without incident or accident, one of only two companies operating Regional Jets in the supplemental 121 on-demand regime able to make this claim. ADI operates a fleet of 50 seat regional jets throughout the United States. For more information please visit www.flyadi.com.





AERODYNAMICS, INC
404.410.7612
sales@flyadi.com
www.flyadi.com

114 Townpark Drive
Suite 500
Kennesaw, GA 30144